

INSTRUCTION

SL5-51119-A5

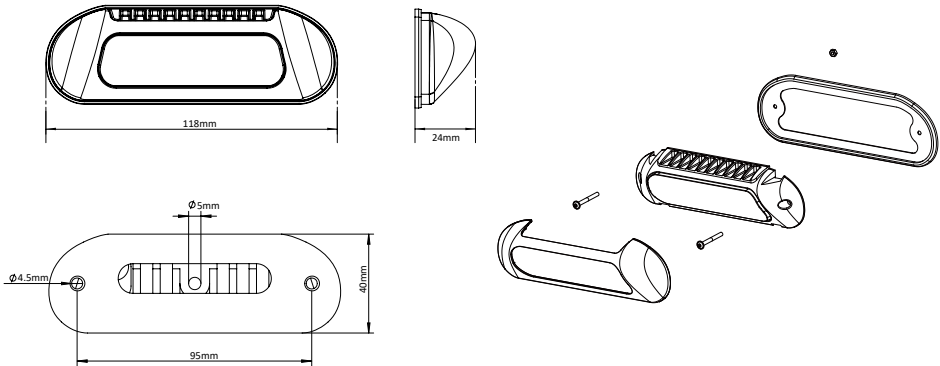
Size	: 118x40x24mm
Power	: 20W
Raw Lumen	: 1800LM & 900LM
Light Angle	: Down 45°
Waterproof	: IP69K
Voltage	: 10-30V

ECE Approval	: ECE R10
Other Approval	: CE, UKCA
Housing Material	: Aluminium Housing, PC Cover
Mounting	: Screw Mount
Cable	: 3 core cables
Gasket	: Rubber

Wiring Instruciton

Positive		Red	(100% brightness)
Dim function Light Positive		Yellow	(50% brightness)
Negative Ground		Black	

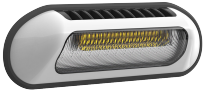
Mounting Assembly



- Only a qualified auto-electrician should install this product. Do Not install this product if unsure.
- Failure to use specified installation parts or hardware will void the product warranty.
- For this product to operate at optimum efficiency, a good electrical connection to ground must be made.
- Do not install or operate this safety product unless you have read and understand the safety information contained in this manual.

IMPORTANT! THIS UNIT IS A SAFETY DEVICE, AND IT MUST BE CONNECTED TO ITS OWN SEPARATE, FUSED POWER POINT TO ASSURE ITS CONTINUED OPERATION WHEN ANY OTHER ELECTRICAL ACCESSORY FAIL.

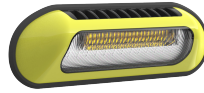
Other versions:



**Scene Light
with Warning Lights
Amber or Blue or Red**



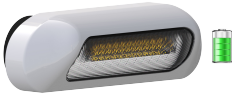
**Scene Light Only
with dim function**



**Scene Light
With Direction Indicator
Reversing Light**



**Scene Light
With Tail light, Brake Light
Reversing Light**



**Rechargeable Scene Light
With Magnetic Base
With Warning Light
Amber / Blue / Red**



**Mini Scene Light
with Dim Function**

